

1

4

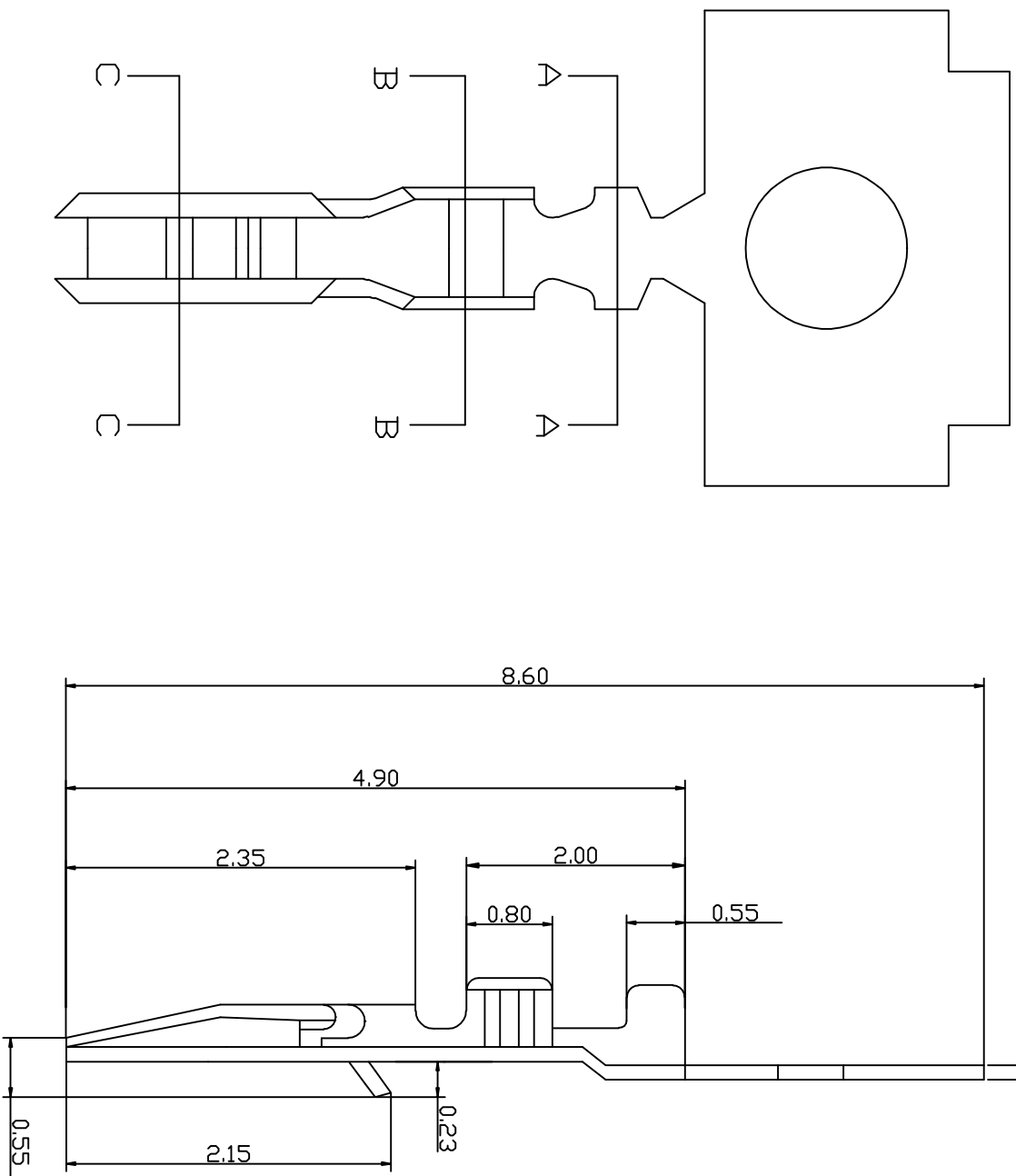
B

C

E

公差表

REV	ECN NO	LOCATIONS	DESCRIPTION	DATE	CHANGER
A			新版本	2016-04-11	李国常



4

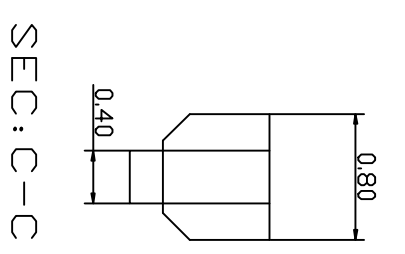
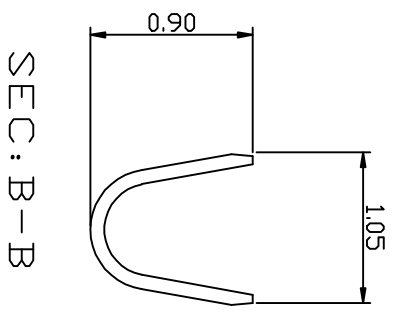
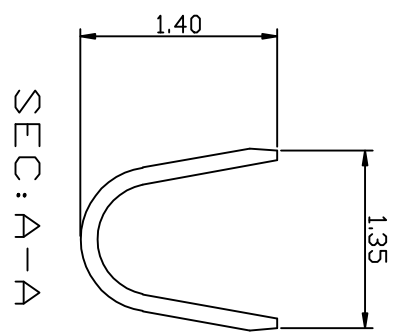
4

SPECIFICATIONS

- Voltage rating: 50V AC,DC
- Current rating: 1A, AC, DC
- Withstanding Voltage: 500V AC/minute
- Insulation resistance: 100MΩ min
- Temperature range: -40℃~+85℃
- Contact resistance: 20MΩ max

TERMINAL

- Part No: T1009PG
- Applicable wire: AWG#28-#32
- Material: Phosphor Bronze
- Finish: Gold-flash



KLIT 深圳市康利通电子科技有限公司

成品规格图

TOCERANCE

0±0.30

.0±0.25

.00±0.20

.000±0.015

TITLE	DATE	SCALE	VER No	SIZE
CHECKED BY	2016-04-11	1:1		

DRAWN BY	UNIT:mm		A	A4
----------	---------	--	---	----

李国常	PART No	T1009PG
-----	---------	---------

B

C

D

E

F

1

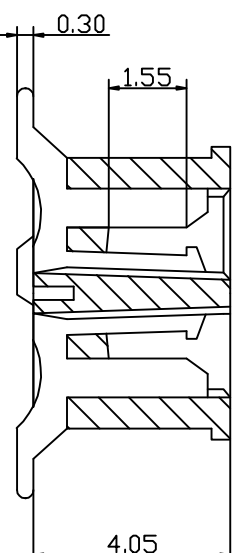
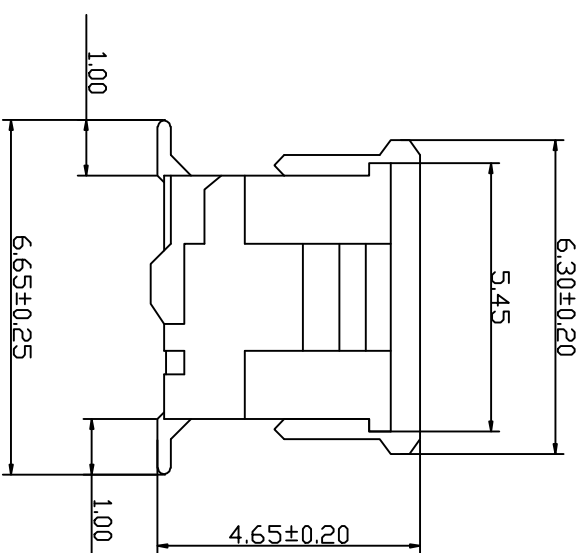
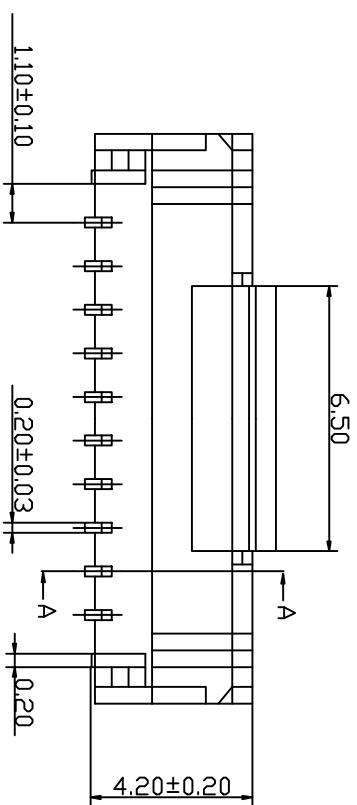
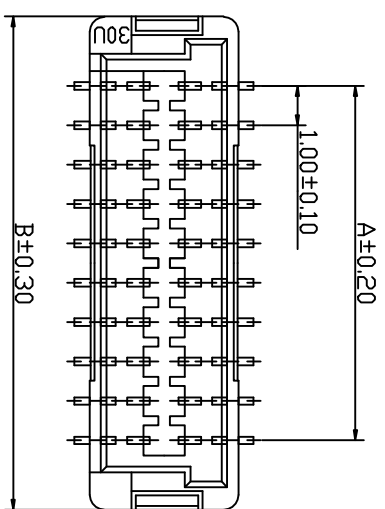
B

C

E

公差表

REV	ECN NO	LOCATIONS	DESCRIPTION	DATE	CHANGER
A			新版本	2016-04-11	李国常



SBC:A-A

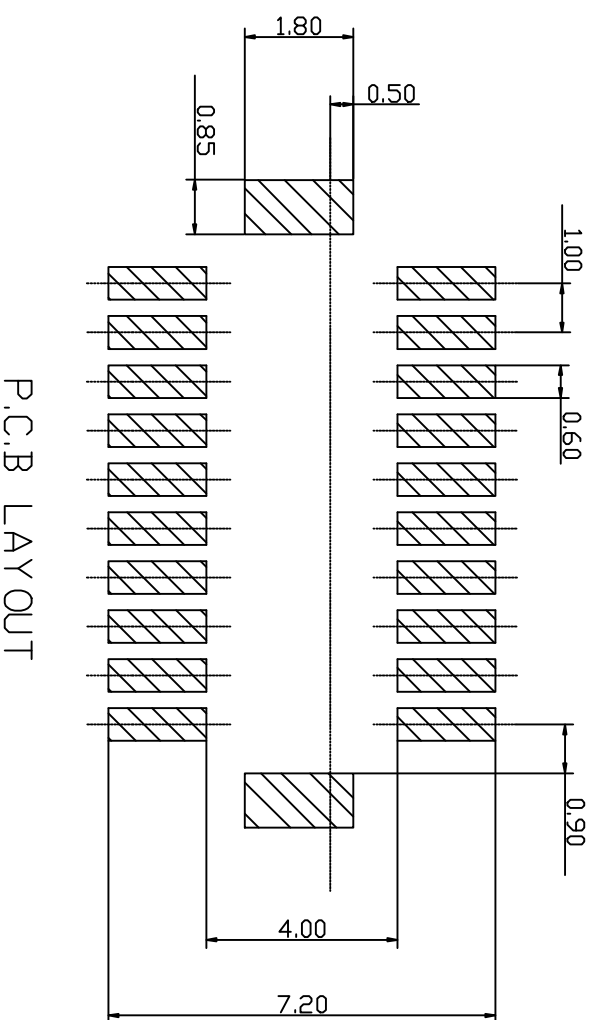
Part NO	Dimensions (mm)	
	A	B
W1009SV-2*10	9.00	13.00
W1009SV-2*15	14.00	18.00
W1009SV-2*20	19.00	23.00
W1009SV-2*25	24.00	28.00

■ SPECIFICATIONS

- Voltage rating: 50V AC,DC
- Current rating: 1A, AC, DC
- Withstanding Voltage: 1000V AC/minute
- Insulation resistance: 1000MΩ min
- Temperature range: -40℃~+85℃
- Contact resistance: 20MΩ max

■ WAFER

- Part No: W1009SV-2*NP
- Poles: 20, 30, 40, 50
- Material: Nylon 9T UL94V-0
- Ter Material: Phosphor Bronze /Gold-flash



P.C.B LAYOUT

KLT 深圳市康利通电子科技有限公司

成品规格图

TOLERANCE

0±0.30

.0±0.25

.00±0.20

.000±0.015

TITLE	成品规格图		TOLERANCE	
CHECKED BY	DATE	SCALE	VER No	SIZE
DRAWN BY	UNIT:mm	1:1	A	A4
李国常	2016-04-11			
PART NO	W1009SV-2*NP			

4

4

B

C

D

E

F

1