

B

C

E

公差表

| REV | ECN NO | LOCATIONS | DESCRIPTION | DATE       | CHANGER |
|-----|--------|-----------|-------------|------------|---------|
| A   |        |           | 新版本         | 2016-04-18 | 李国常     |

SPECIFICATIONS

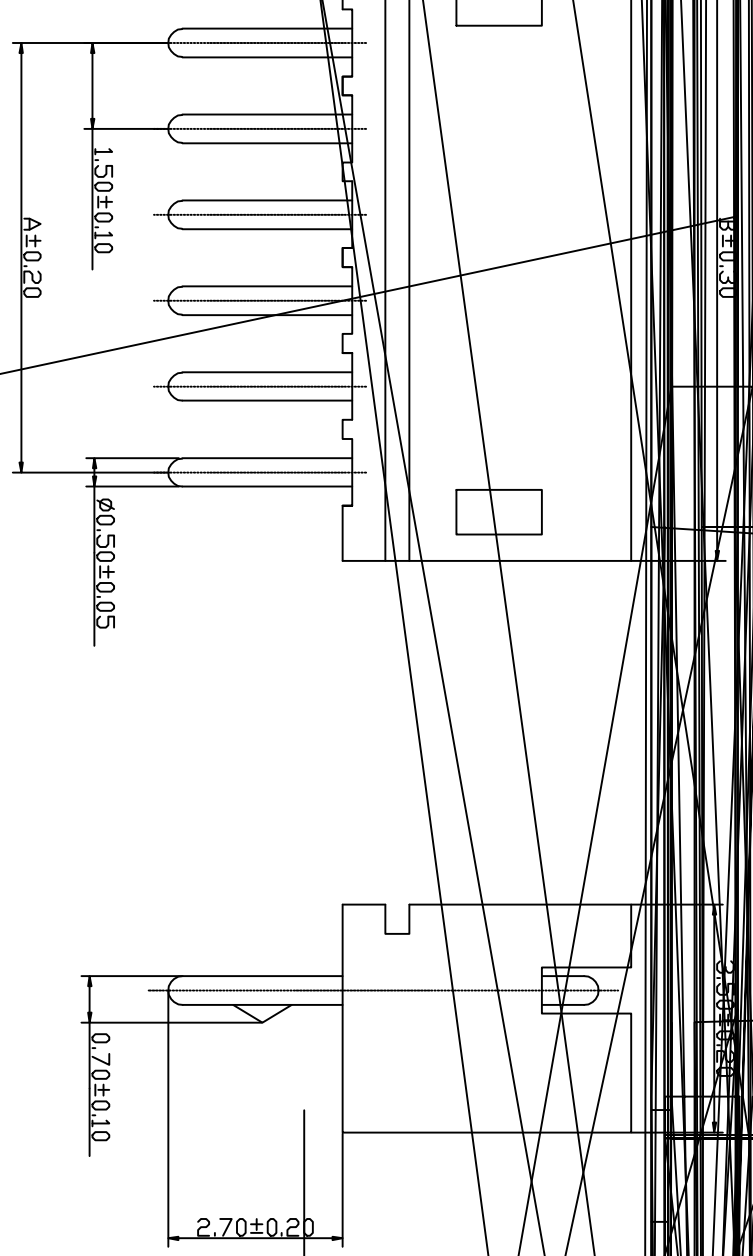
- Voltage rating: 50V AC, DC
- Current rating: 1A, AC, DC
- Withstanding Voltage: 500V AC/minute
- Insulation resistance: 500MΩ min
- Temperature range: -40°C~+85°C
- Contact resistance: 10MΩ max

WATER

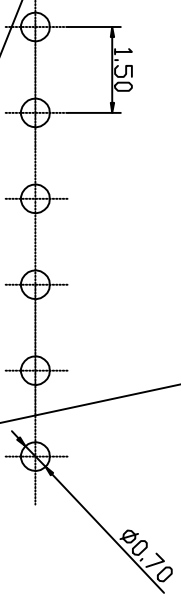
- Part No: W1500V-NP
- Part Name: Water
- Part Description: Water

4

4



P.C.B LAYOUT



深圳市康利通电子有限公司

TITLE

成品规格图

|            |            |       |        |      |
|------------|------------|-------|--------|------|
| CHECKED BY | DATE       | SCALE | VER No | SIZE |
|            | 2016-04-18 | 1:1   | A      | A4   |

|          |         |         |           |
|----------|---------|---------|-----------|
| DRAWN BY | UNIT:mm | PART No | W1500V-NP |
| 李国常      |         |         |           |

TO CERANCE

0±0.30

.0±0.25

.00±0.20

.000±0.015

B

C

D

E

F

1

B

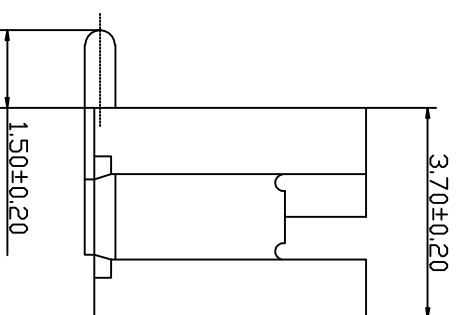
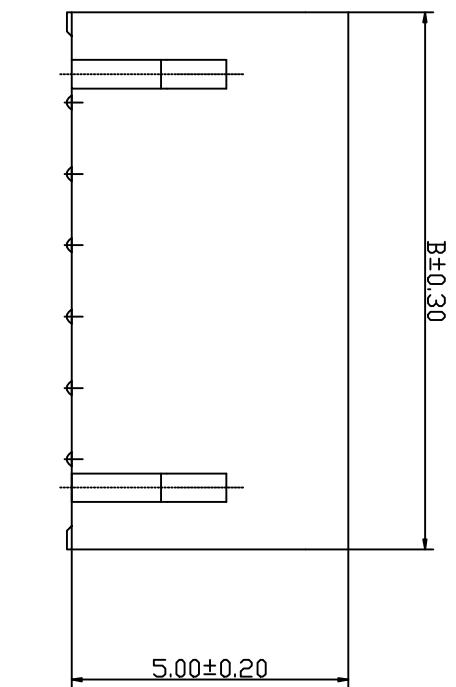
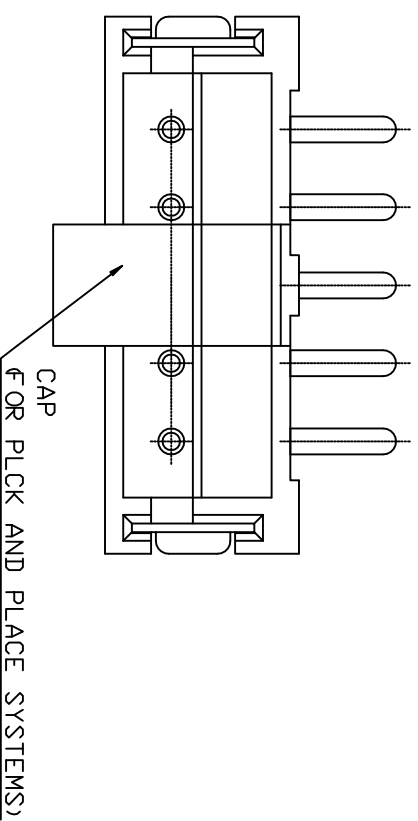
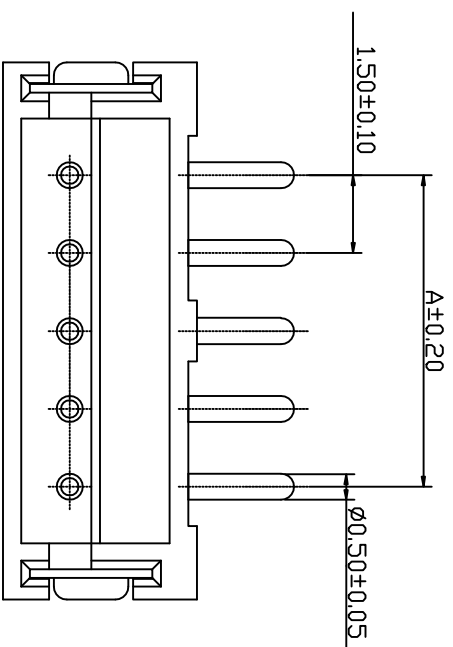
C

E

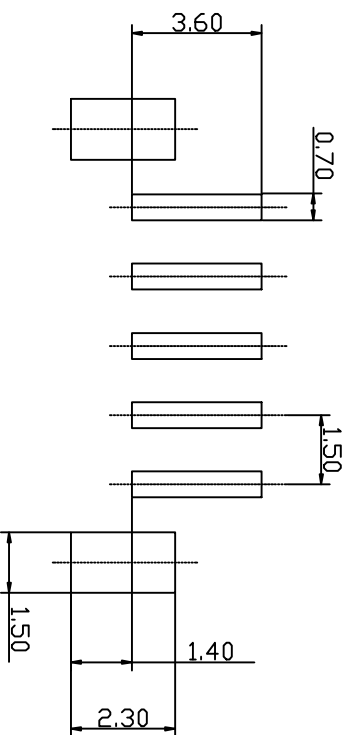
公差表

| REV | ECN NO | LOCATIONS | DESCRIPTION | DATE       | CHANGER |
|-----|--------|-----------|-------------|------------|---------|
| A   |        |           | 新版本         | 2016-04-18 | 李国常     |

4



| Part No    | Dimensions (mm) |       |
|------------|-----------------|-------|
|            | A               | B     |
| W1500SV-02 | 1.50            | 6.00  |
| W1500SV-03 | 3.00            | 7.50  |
| W1500SV-04 | 4.50            | 9.00  |
| W1500SV-05 | 6.00            | 10.50 |
| W1500SV-06 | 7.50            | 12.00 |
| W1500SV-07 | 9.00            | 13.50 |
| W1500SV-08 | 10.50           | 15.00 |
| W1500SV-09 | 12.00           | 16.50 |
| W1500SV-10 | 13.50           | 18.00 |
| W1500SV-11 | 15.00           | 19.50 |
| W1500SV-12 | 16.50           | 21.00 |
| W1500SV-13 | 18.00           | 22.50 |



P.C.B LAYOUT

**KLT** 深圳市康利通电子科技有限公司

成品规格图

TOLERANCE

0±0.30

.0±0.25

.00±0.20

.000±0.015

1

|            |            |       |           |      |
|------------|------------|-------|-----------|------|
| TITLE      | 成品规格图      |       | TOLERANCE |      |
| CHECKED BY | DATE       | SCALE | VER No    | SIZE |
| DRAWN BY   | UNIT:mm    | 1:1   | A         | A4   |
| PART No    | W1500SV-NP |       |           |      |

李国常

2016-04-18

1:1

A

A4

W1500SV-NP

B

C

D

E

F



B

C

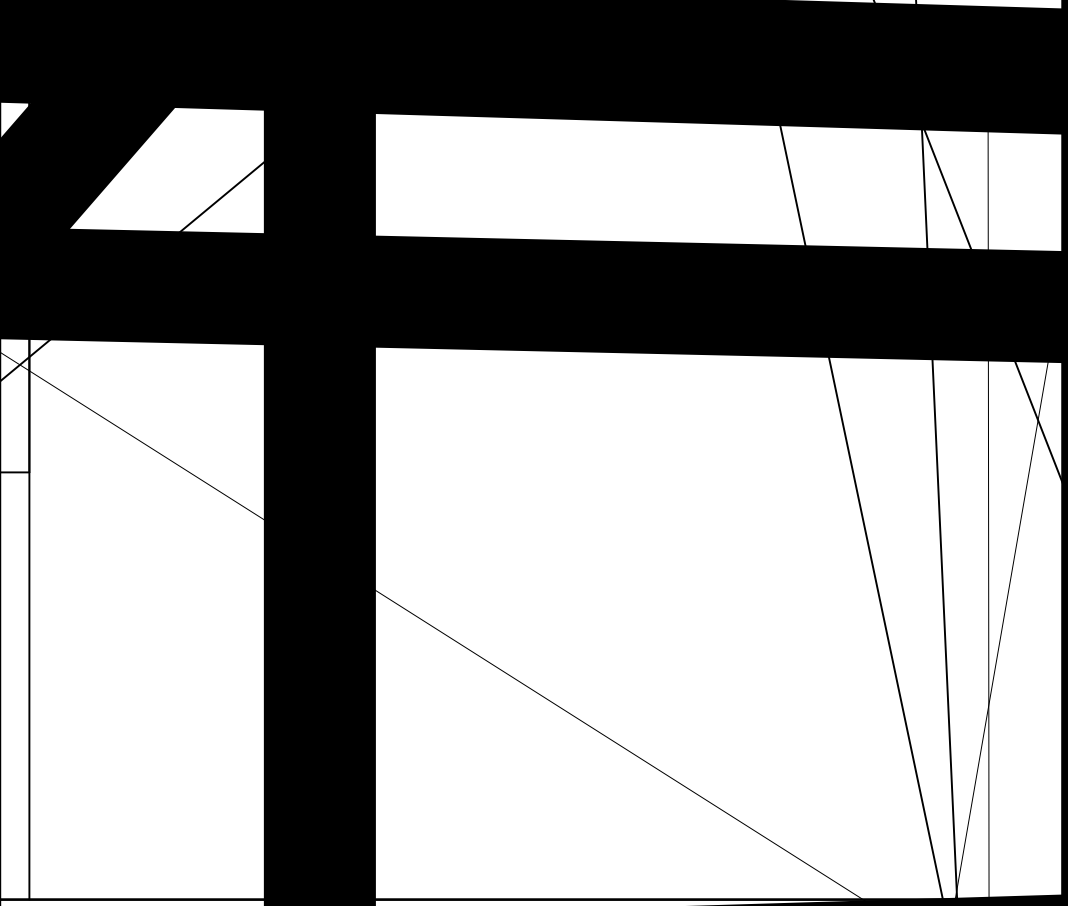
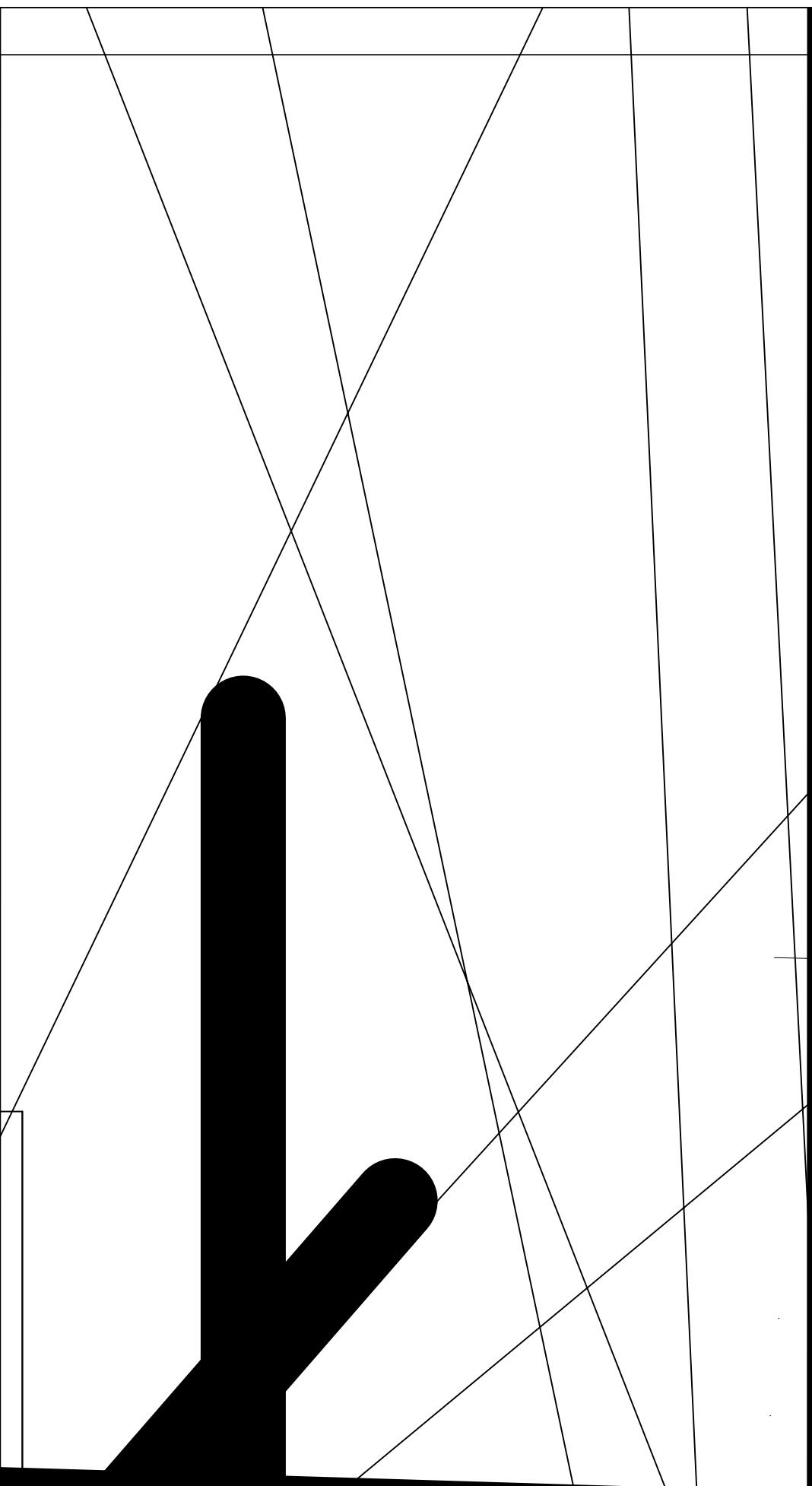
F

公差表

|     |        |
|-----|--------|
| REV | ECN NO |
| A   |        |

|         |  |
|---------|--|
| UNITS   |  |
| REMARKS |  |

|             |      |           |
|-------------|------|-----------|
| DESCRIPTION | DATE | INSPECTOR |
|             |      |           |



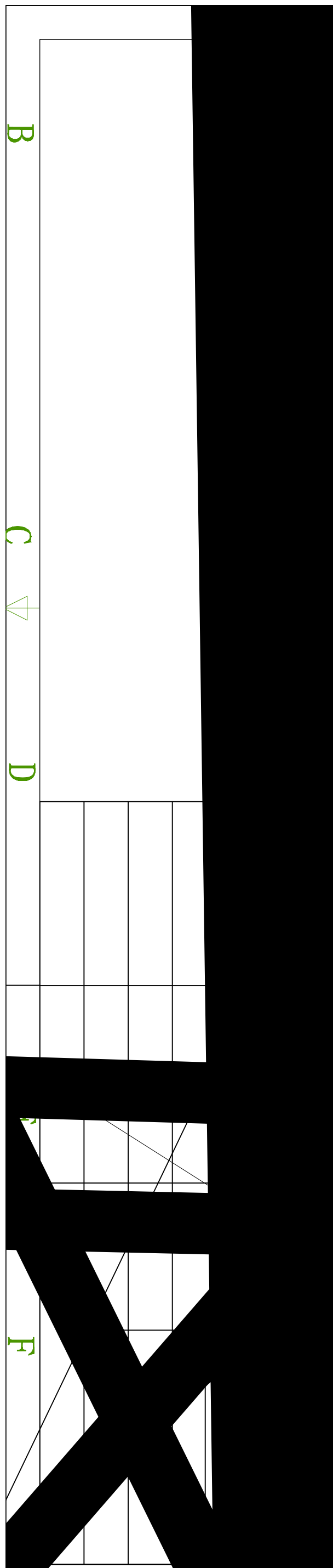
B

C

D

E

F





B

C

E

公差表

| REV | ECN NO | LOCATIONS | DESCRIPTION | DATE | CHANGER |
|-----|--------|-----------|-------------|------|---------|
| A   |        |           |             |      |         |

■ SPECIFICATIONS  
 ● Voltage prot

4

4

B

C

D

E

F

1

