

B

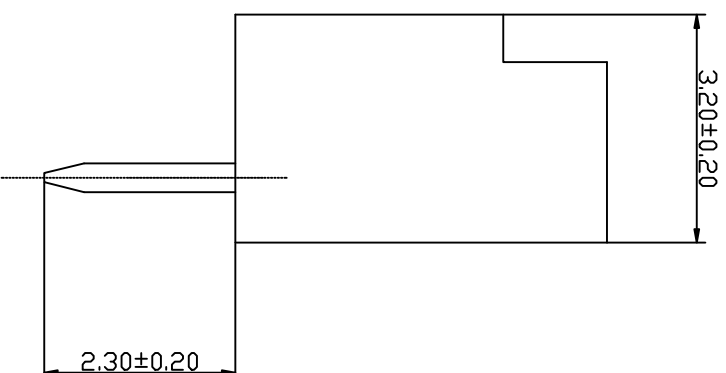
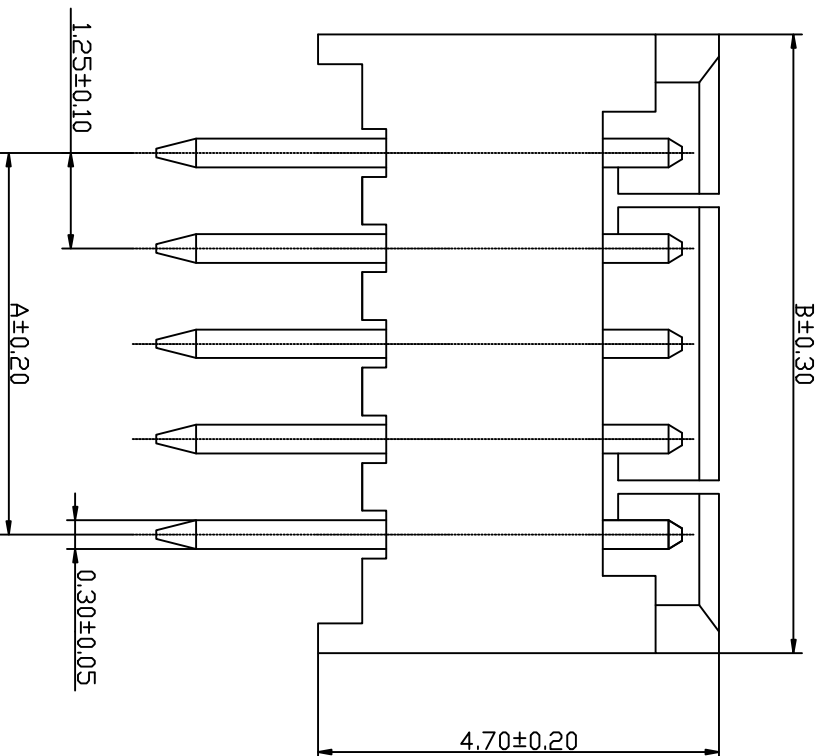
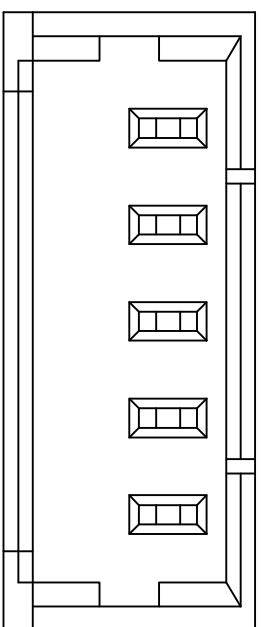
C

E

公差表

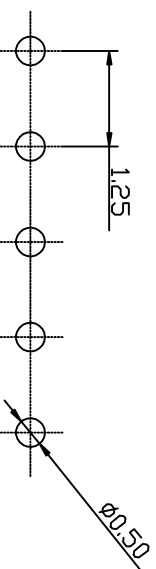
REV	ECN NO	LOCATIONS	DESCRIPTION	DATE	CHANGER
A			新版本	2016-04-21	李国常

4



Part No	Dimensions (mm)	
	A	B
W1251-02	1.25	4.25
W1251-03	2.50	5.50
W1251-04	3.75	6.75
W1251-05	5.00	8.00
W1251-06	6.25	9.25
W1251-07	7.50	10.50
W1251-08	8.75	11.75
W1251-09	10.00	13.00
W1251-10	11.25	14.25
W1251-11	12.50	15.50
W1251-12	13.75	16.75
W1251-13	15.00	18.00
W1251-14	16.25	19.25
W1251-15	17.50	20.50

- SPECIFICATIONS**
- Voltage rating: 125V AC, DC
 - Current rating: 1A, AC, DC
 - Withstanding Voltage: 500V AC/minute
 - Insulation resistance: 100MΩ min
 - Temperature range: -40°C~+85°C
 - Contact resistance: 10MΩ max
- WAFER
- Part No: W1251V-NP
 - Poles: 02-15
 - Material: Nylon 66 UL94V-0
 - Ter Material: Phosphor Bronze /Tin-plated



P.C.B LAYOUT

KLT 深圳市康利通电子科技有限公司

TITLE

成品规格图

TOLERANCE

0±0.30

.0±0.25

.00±0.20

.000±0.015

CHECKED BY	DATE	SCALE	VER No	SIZE
	2016-04-21	1:1	A	A4

DRAWN BY

UNIT:mm



A

A4

李国常

PART NO

W1251V-NP

B

C

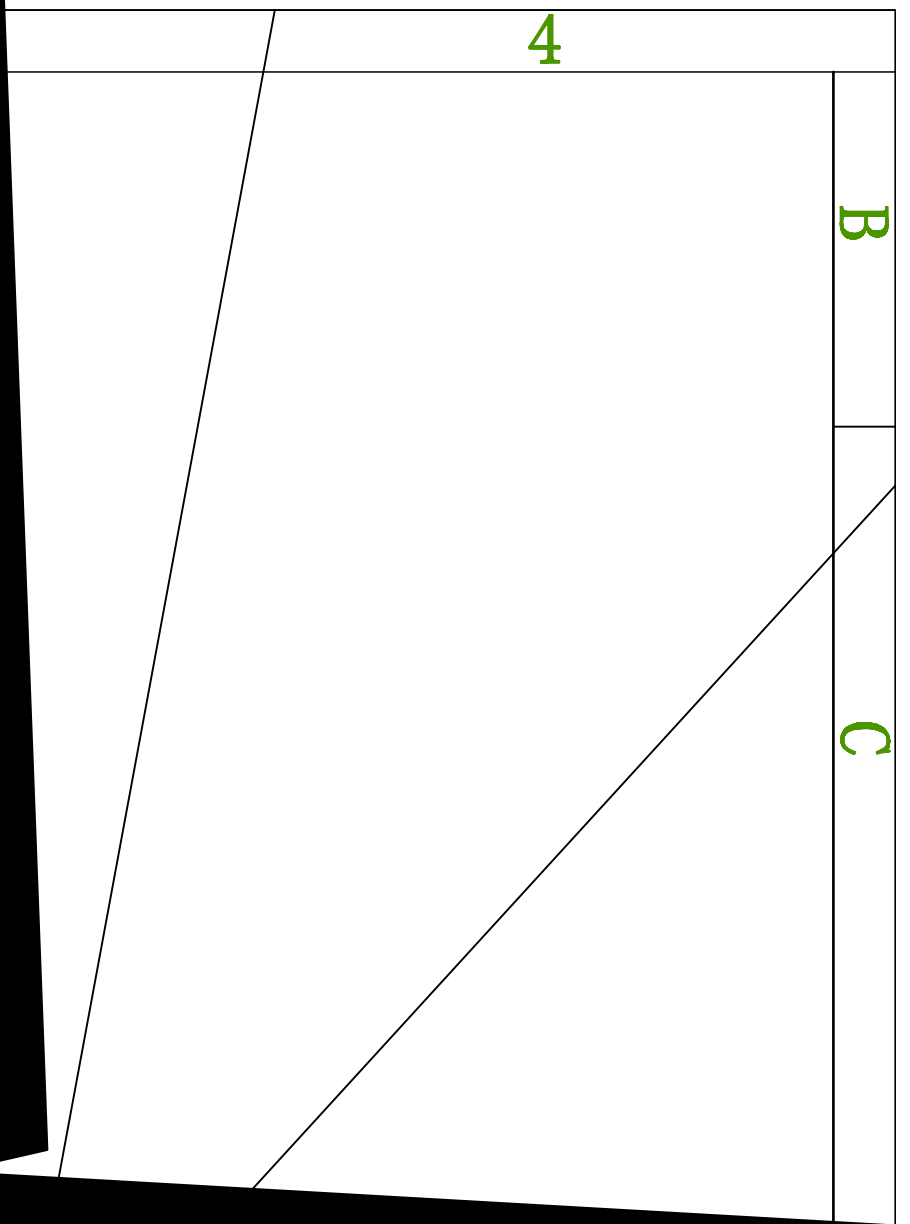
D

E

F

1

4



深圳市康利通电子科技有限公司

TITLE

CHECKED BY

DRAWN BY

李国常

产品规格图

DATE

2016-04-21

UNIT:mm

PART No

W1251SV

TOLERANCES

0±0.30

.0±0.25

.00±0.20

.000±0.015

DR No SIZE

A4

1

E

F

B

C

E

公差表

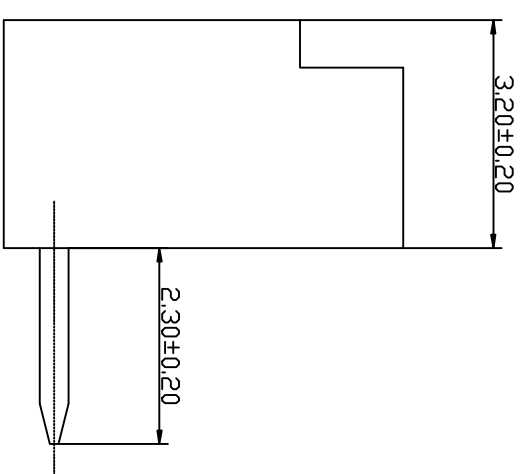
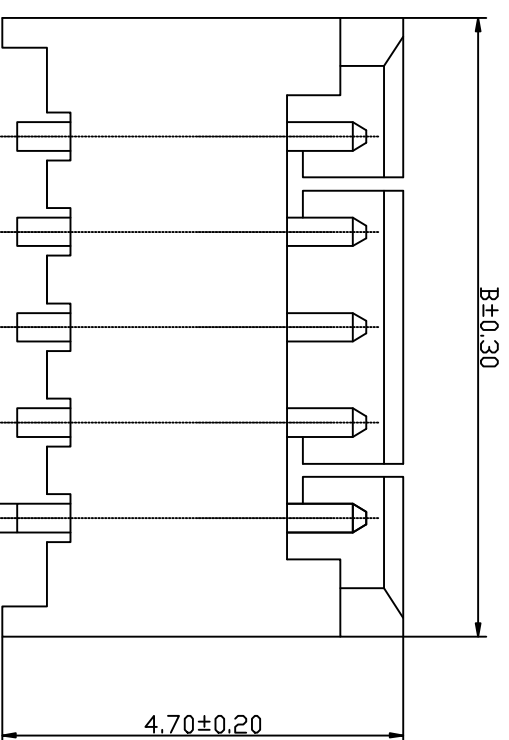
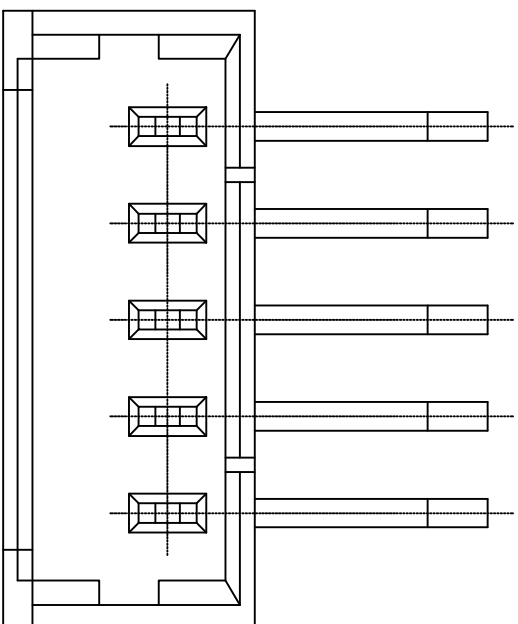
REV	ECN NO	LOCATIONS	DESCRIPTION	DATE	CHANGER
A			新版本	2016-04-21	李国常

SPECIFICATIONS

- Voltage rating: 125V AC, DC
- Current rating: 1A, AC, DC
- Withstanding Voltage: 500V AC/minute
- Insulation resistance: 100MΩ min
- Temperature range: -40℃~+85℃
- Contact resistance: 10MΩ max

WAFER

- Part No: W1251R-NP
- Poles: 02-15
- Material: Nylon 66 UL94V-0
- Ter Material: Phosphor Bronze /Tin-plated



Part No	Dimensions (mm)	
	A	B
W1251R-02	1.25	4.25
W1251R-03	2.50	5.50
W1251R-04	3.75	6.75
W1251R-05	5.00	8.00
W1251R-06	6.25	9.25
W1251R-07	7.50	10.50
W1251R-08	8.75	11.75
W1251R-09	10.00	13.00
W1251R-10	11.25	14.25
W1251R-11	12.50	15.50
W1251R-12	13.75	16.75
W1251R-13	15.00	18.00
W1251R-14	16.25	19.25
W1251R-15	17.50	20.50

KLT 深圳市康利通电子科技有限公司

成品规格图

TOLERANCE

0±0.30

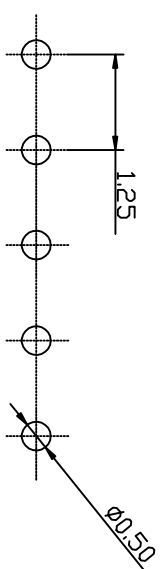
.0±0.25

.00±0.20

.000±0.015

VER No SIZE

A A4



P.C.B LAYOUT

B

C

D

E

F

4

4

1

B

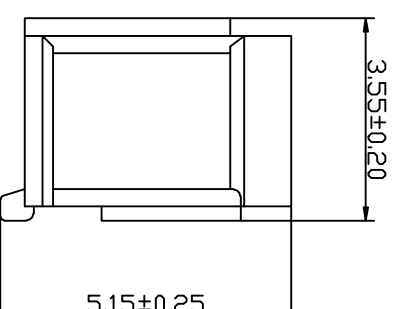
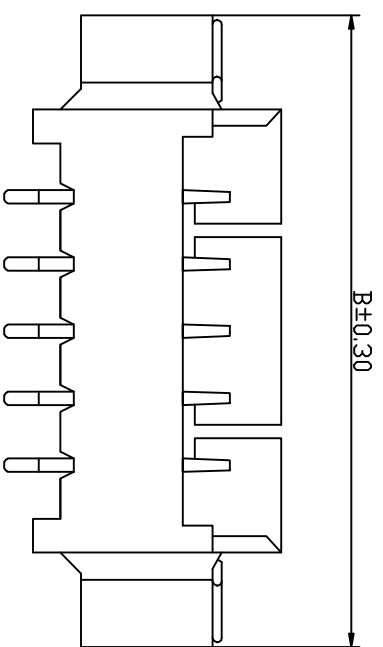
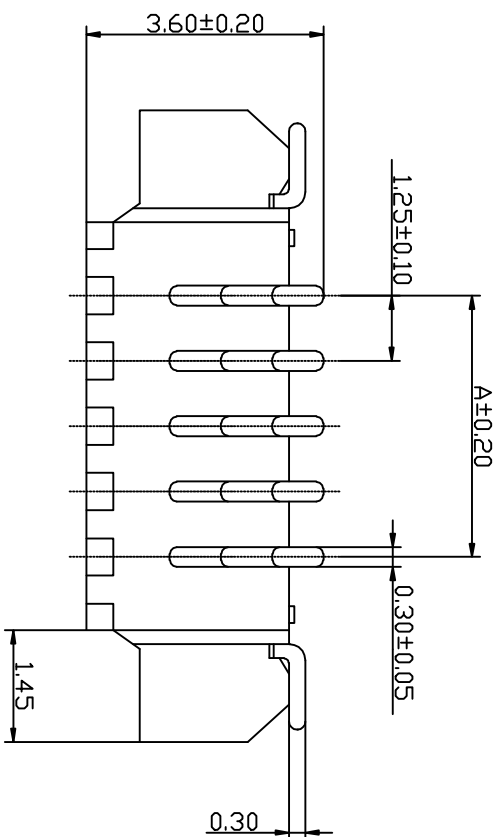
C

E

公差表

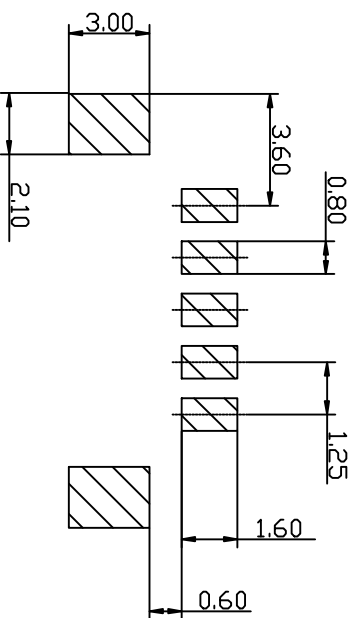
REV	ECN NO	LOCATIONS	DESCRIPTION	DATE	CHANGER
A			新版本	2016-04-21	李国常

4



- SPECIFICATIONS**
- Voltage rating: 125V AC, DC
 - Current rating: 1A, AC, DC
 - Withstanding Voltage: 500V AC/minute
 - Insulation resistance: 100MΩ min
 - Temperature range: -40°C~+85°C
 - Contact resistance: 10MΩ max
- WAFER
- Part No: W1251SR-NP
 - Poles: 02-16
 - Material: Nylon 66 UL94V-0
 - Ter Material: Phosphor Bronze /Tin-plated

Part No	Dimensions (mm)	
	A	B
W1251SR-02	1.25	7.75
W1251SR-03	2.50	9.00
W1251SR-04	3.75	10.25
W1251SR-05	5.00	11.50
W1251SR-06	6.25	12.75
W1251SR-07	7.50	14.00
W1251SR-08	8.75	15.25
W1251SR-09	10.00	16.50
W1251SR-10	11.25	17.75
W1251SR-11	12.50	19.00
W1251SR-12	13.75	20.25
W1251SR-13	15.00	21.50
W1251SR-14	16.25	22.75
W1251SR-15	17.50	24.00
W1251SR-16	18.75	25.25



P.C.B LAYOUT

KLT 深圳市康利通电子科技有限公司

成品规格图

TOLERANCE

0±0.30

.0±0.25

.00±0.20

.000±0.015

VER No SIZE

A A4

TITLE	成品规格图		TOLERANCE	
CHECKED BY	DATE	SCALE	VER No	SIZE
DRAWN BY	UNIT:mm	1:1	A	A4
李国常	2016-04-21			
PART No	W1251SR-NP			

B

C

D

E

F

4

1

B

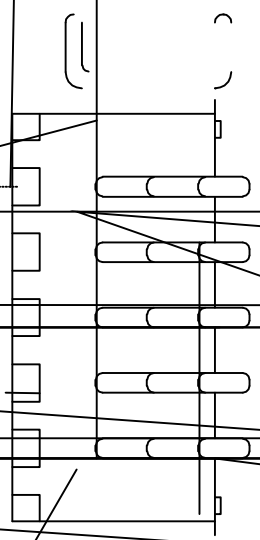
C

E

公差表

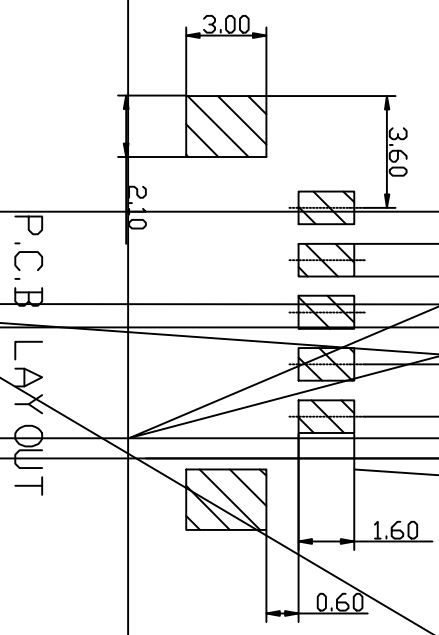
REV	ECN NO	LOCATIONS	DESCRIPTION	DATE	CHANGER
A			新版本	2016-04-21	李国常

4



- SPECIFICATIONS**
- Voltage rating: 125V AC, DC
 - Current rating: 1A, AC, DC
 - Withstanding Voltage: 500V AC/minute
 - Insulation resistance: 100MΩ min
 - Temperature range: -40°C~+85°C
 - Contact resistance: 10MΩ max
- WAFER**
- Part No: W1251SR-NP-1
 - Poles: 02-16
 - Material: Nylon 66 UL94V-0
 - Ter Material: Phosphor Bronze / Tin-plated

Part No	Dimensions (mm)	
	A	B
W1251SR-02-1	1.25	7.75
W1251SR-03-1	2.50	9.00
W1251SR-04-1	3.75	10.25
W1251SR-05-1	5.00	11.50
W1251SR-06-1	6.25	12.75
W1251SR-07-1	7.50	14.00
W1251SR-08-1	8.75	15.25
W1251SR-09-1	10.00	16.50
W1251SR-10-1	11.25	17.75
W1251SR-11-1	12.50	19.00
W1251SR-12-1	13.75	20.25
W1251SR-13-1	15.00	21.50
W1251SR-14-1	16.25	22.75
W1251SR-15-1	17.50	24.00
W1251SR-16-1	18.75	25.25



深圳市康利通电子科技有限公司

TOLERANCE

0±0.30

.0±0.25

.00±0.20

.000±0.015

TITLE	成品规格图
CHECKED BY	DATE
2016-04-21	SCALE
1:1	VER No
SIZE	A
UNIT:mm	A4
PART No	W1251SR-NP-1
DRAWN BY	李国常

B

C

D

E

F

4