

B

C

E

公差表

REV	ECN NO	LOCATIONS	DESCRIPTION	DATE	CHANGER
A			新版本	2016-06-12	李国常

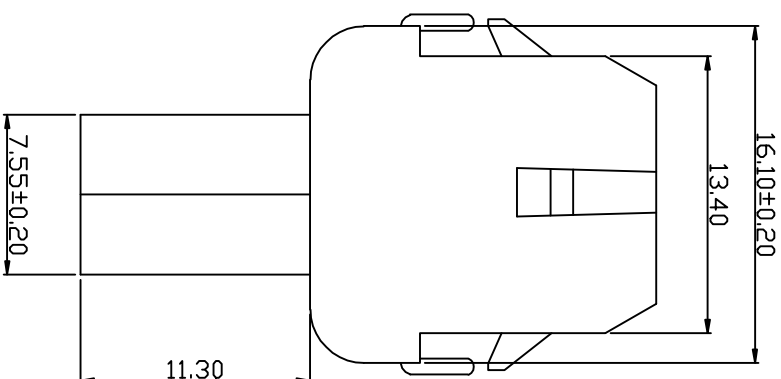
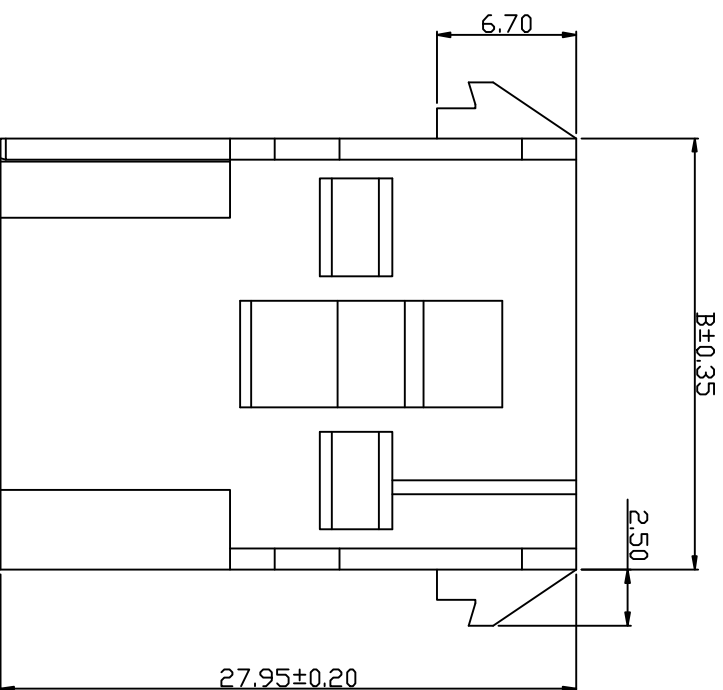
SPECIFICATIONS

- Voltage rating: 600V AC, DC
- Current rating: 15A, AC, DC
- Withstanding Voltage: 5000V AC/minute
- Insulation resistance: 1000MΩ min
- Temperature range: -40℃~+105℃
- Contact resistance: 3.5MΩ max

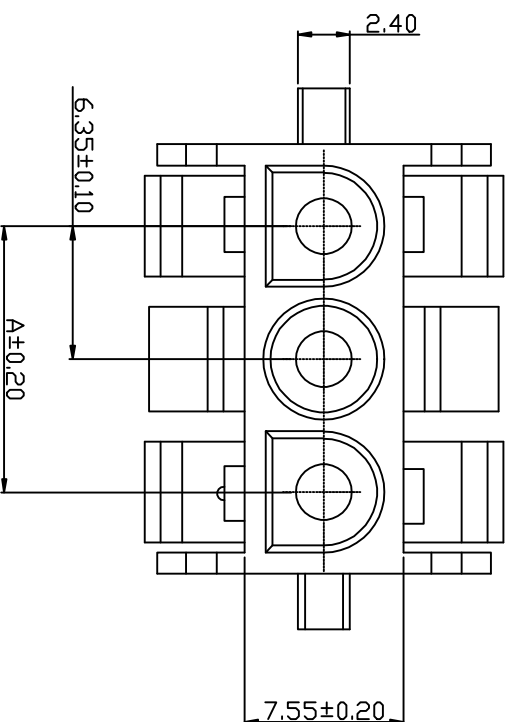
HOUSING

- Part No: H6352-NP
- Poles: 02-08
- Material: Nylon 66 UL94V-0

4



Part No	Dimensions (mm)	
	A	B
H6352-02	6.35	13.97
H6352-03	12.70	20.32
H6352-04	19.05	26.67
H6352-05	25.40	33.02
H6352-06	31.75	39.37
H6352-08	44.45	52.07



KLT 深圳市康利通电子科技有限公司

成品规格图

TOLERANCE

0±0.30

.0±0.25

.00±0.20

.000±0.015

VER No SIZE

A A4

1

4

B

C

D

E

F

B

C

E

公差表

REV	ECN NO	LOCATIONS	DESCRIPTION	DATE	CHANGER
A			新版本	2016-06-12	李国常

SPECIFICATIONS

- Voltage rating: 600V AC, DC
- Current rating: 15A, AC, DC
- Withstanding Voltage: 5000V AC/minute
- Insulation resistance: 1000MΩ min
- Temperature range: -40℃~+105℃
- Contact resistance: 3.5MΩ max

HOUSING

- Part No H6352-3*NP

- Material Nylon 66 UL94V-0

Part No	Dimensions (mm)	
	A	B
H6352-3*NP	6.35	14.05
	18.70	20.40
	25.40	33.10

KLT 深圳市康利通电子科技有限公司

TITLE

成品规格图

TOLERANCE

0±0.30

.0±0.25

.00±0.20

CHECKED BY

DATE

SCALE

.000±0.015

DRAWN BY

UNIT:mm

1:1

VER No SIZE

李国常

PART No

A

A A4

H6352-3*NP

4

4

B

C

D

E

F

1

B

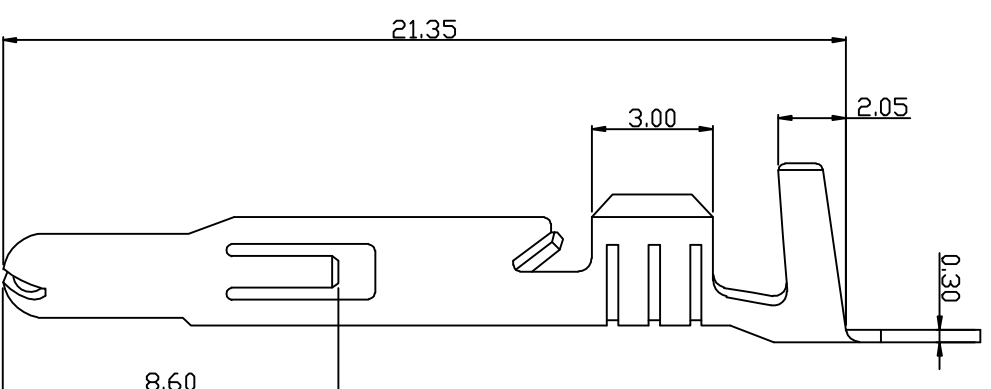
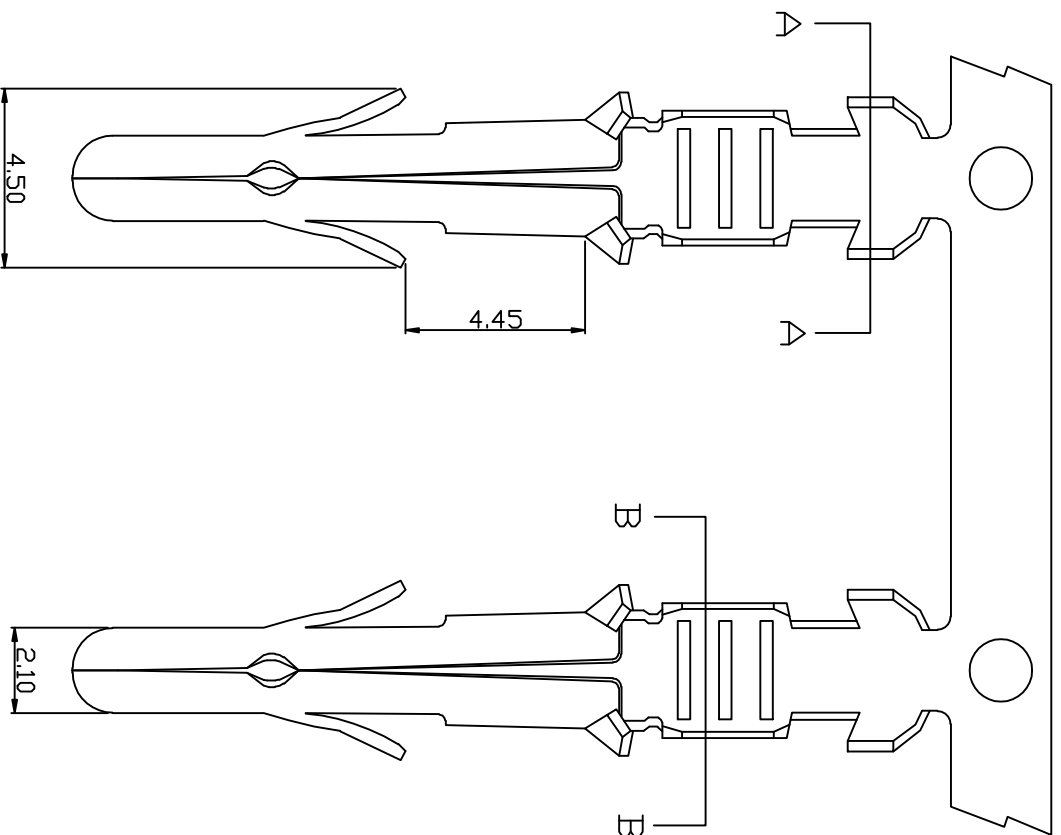
C

E

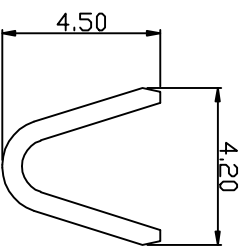
公差表

REV	ECN NO	LOCATIONS	DESCRIPTION	DATE	CHANGER
A			新版本	2016-06-12	李国常

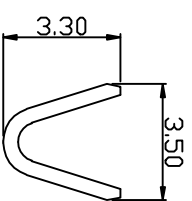
4



- SPECIFICATIONS**
- Voltage rating: 250V AC, DC
 - Current rating: 10A, AC, DC
 - Withstanding Voltage: 1500V AC/minute
 - Insulation resistance: 1000MΩ min
 - Temperature range: -40℃~+85℃
 - Contact resistance: 10MΩ max
- TERMINAL**
- Part No: T6351BT
 - Applicable wire: AWG#14-#20
 - Material: Brass
 - Finish: Tin plated



SEC: A-A



SEC: B-B

KLT 深圳市康利通电子科技有限公司

TITLE

成品规格图

TOCERANCE

0±0.30

.0±0.25

.00±0.20

.000±0.015

CHECKED BY

DATE

SCALE

2016-06-12

1:1

VER No

SIZE

DRAWN BY

UNIT:mm



A

A4

李国常

PART No

T6351BT

4

B

C

D

E

F

1